	<b>DIMENSIONS (Cm)</b>	<b>Effective</b> 117 x 65 x h.92
		<b>On Pallet</b> 123 x 75 x h.105
	<b>WEIGHT (Kg)</b>	<b>Effective</b> 640
		<b>On Pallet</b> 655
	<b>OIL</b>	With viscosity = 680
		Quantity = 3 lt.
<b>ELECTRIC MOTOR</b>	400V - 50HZ	
	7,5 HP - 5,5 kW	
<b>RPM</b>	37	


<b>Cutting capability</b>	<b>R. = 65 Kg. / mm<sup>2</sup></b>			<b>R. = 85 Kg. / mm<sup>2</sup></b>		
	1 Ø 48	2 Ø 34	3 Ø 26	1 Ø 42	2 Ø 32	3 Ø 24

**TECHNICAL FEATURES**

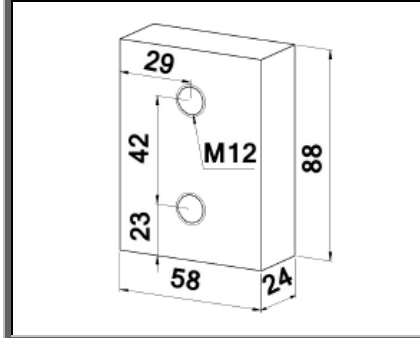
- Completely new projected machine body in monoblock made of spheroidal cast iron;
- Gearing in cemented steel;
- Reinforced mechanical parts for a better resistance and performance;
- Higher Cutting capability;
- Special Screw Locator to align perfectly one or more rod between the blades.

**OPTIONAL**

**BASE AND PEDAL**  
This system is recommended when a working bench is used to lay the bars, allowing the operator to work maintaining a correct posture and minimizing the effort.



**STANDARD EQUIPMENT**



**BLADES**  
On each cutting machine, 2 hardened steel blades are already fitted.

**SCREW LOCATOR**  
Allows perfect alignment of one rod or more between the blades and the achievement of perfectly perpendicular cuts.

**LUBRIFICATION SYSTEM**  
Thanks to the new construction system, the parts that require it are easily reached by a single point of grazing.