	DIMENSIONS (Cm)	Effective 85 x 55 x h.72
		On Pallet 105 x 75 x h.80
	WEIGHT (Kg)	Effective 245
		On Pallet 255
	OIL	With viscosity = 680
		Quantity = 1,5 lt.
ELECTRIC MOTOR	400V - 50HZ 4 HP - 3 kW	
RPM	52	


Cutting capability	R. = 65 Kg. / mm ²			R. = 85 Kg. / mm ²		
	1 Ø 30	2 Ø 22	3 Ø 18	1 Ø 28	2 Ø 20	3 Ø 16

TECHNICAL FEATURES

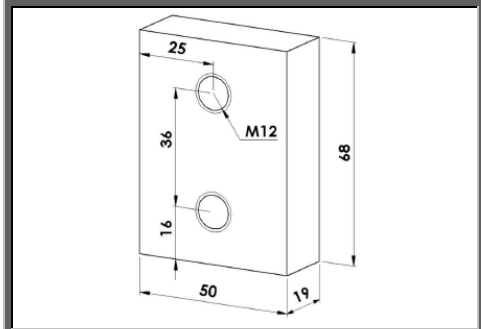
- Completely new projected machine body in monoblock made of spheroidal cast iron;
- Gearing in cemented steel;
- Reinforced mechanical parts for a better resistance and performance;
- Higher Cutting capability;
- Special Screw Locator to align perfectly one or more rod between the blades.

OPTIONAL

BASE AND PEDAL
This system is recommended when a working bench is used to lay the bars, allowing the operator to work maintaining a correct posture and minimizing the effort.



STANDARD EQUIPMENT



BLADES
On each cutting machine, 2 hardened steel blades are already fitted.

SCREW LOCATOR
Allows perfect alignment of one rod or more between the blades and the achievement of perfectly perpendicular cuts.

LUBRIFICATION SYSTEM
Thanks to the new construction system, the parts that require it are easily reached by a single point of grazing.